



SMARTLINE



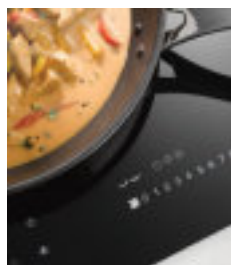
Intelligent pan detection

Intelligent pan detection recognizes where the pan is: with flexible cooking zones, the control elements simply move to where they are needed.



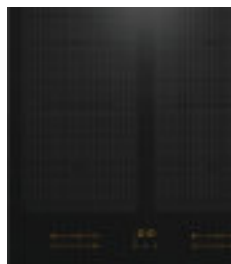
Smart Select

Power levels can be selected directly via the number scale. The controls, highlight in yellow are easy to read from any angle. Ultimate convenience as well as excellent legibility.



Keeping Warm Plus

Perfect for keeping food warm, for heating up cold food due to exact temperature control. Thus resulting in perfectly heated food that doesn't burn.



Power Flex

Particularly versatile & flexible. Individual cookware such as large Pasta Pans or Oven dishes can all be used effortlessly without any problems, by selecting the 'bridge' function



Comfort Clean

Fast cleaning : Remove the Pot rest & wash in the dishwasher. This makes cleaning particular easy as well as saving time.



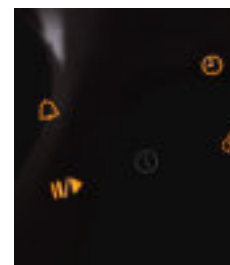
Con@ctivity 3.0

Your cooker hood responds automatically. The extraction power is automatically adjusted to what is happening on the hob, ensuring a pleasant room climate at all times. The appliances communicate with each other via WiFi. Con@ctivity 3.0 allows you to integrate the cooker hood and hob into Miele@home.



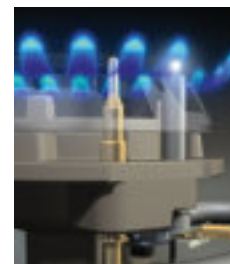
Twin Booster

All zones are fitted with a single or Twin booster. If activated, the cooking zone will operate on full power, to enable rapid heat up times. The booster can be used on 2 cooking zones at once, ensuring ease of use for different pan sizes.



Stop & Go

Allows for short breaks whilst cooking. The power output of all active cooking zones is reduced to level one & power is reinstated at the touch of a single button.



Gas Stop Restart

This function makes use of electronics which recognises when the gas flame gets extinguished or if a pot boils over. Thus automatically reignites the gas flame. If this does not work, the gas supply is switched off immediately. Simple & Safe.



Quick Start

No need to press or hold down the control : All gas Hobs with electronic controls can be switched on easily and conveniently.

Combi-sets

Smartline

CS7641 Induction Wok
11323040



Design

37.8cm wide
SmartLine induction wok

Performance

Smart Select
Intuitive quick selection via
yellow number sequences
Elegant design
For flush or raised installation
Versatile
Combines perfectly
with any SmartLine element
Eye-catcher
With integrated wok
Powerful
Booster function

Included for you

Free Teflon-coated wok pan

e R49⁹⁹⁹

CS7612 FL Induction Hob
10684390



Design

37.8cm wide
SmartLine induction hob

Performance

Smart Select
Intuitive quick selection via
yellow number sequences
Elegant design
For flush or raised installation
Versatile
Combines perfectly
with any SmartLine element
Convenient
2 cooking zones
incl. 1 PowerFlex area
TwinBooster function
Shortest heating-up time

e R29⁹⁹⁹

CS7632 FL Teppanyaki
10684420



Design

37.8cm wide
SmartLine induction Teppanyaki

Performance

Smart Select
Intuitive quick selection via
yellow number sequences
Elegant design
For flush or raised installation
Versatile
Combines perfectly
with any SmartLine element
Convenient
2 separately
controlled teppan areas
Induction cooking
Shortest heating-up time

e R44⁹⁹⁹

CS7102-1 FL 38cm Gas Hob
11402730



Design

37.8cm wide
SmartLine two burner gas

Performance

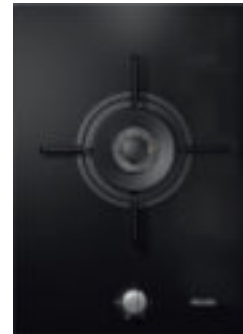
Simple controls
Single-handed manual ignition
operation via rotary dial control
Elegant design
For flush or raised installation
Versatile
Combines perfectly
with any SmartLine element
Convenient
1 medium burner
and 1 large burner
Easy cleaning
Dishwasher-safe
ComfortClean pot rests

Included for you

FlameGuard

e R22⁹⁹⁹

CS7101-1 FL 38cm Gas Wok
11402720



Design

37.8cm wide
SmartLine dual gas wok burner

Performance

Simple controls
Single-handed manual ignition
operation via rotary dial control
Elegant design
For flush or raised installation
Versatile
Combines perfectly
with any SmartLine element
Broad performance spectrum
Dual wok with up
to 4.5 kW of power
Easy cleaning
Dishwasher-safe
ComfortClean pot rests

Included for you

FlameGuard

e R23⁹⁹⁹

Combi-sets

Smartline

KM7564 FL Induction Hob
11022960



Design

62cm wide
SmartLine induction hob

Performance

Smart Select
Intuitive quick selection via yellow number sequences
Elegant design
For flush or raised installation
Versatile
Combines perfectly with any SmartLine element
Convenient
4 cooking zones
incl. 2 PowerFlex area
TwinBooster function
Shortest heating-up time

 R34⁹⁹⁹

CSDA7001 FL Counter top Extractor
11402230



Design

12cm wide
SmartLine counter top extractor

Performance

Smart Select
Intuitive quick selection via yellow number sequences
Elegant design
For flush or raised installation
Versatile
Combines perfectly with any SmartLine element
Efficient filtration
10-ply stainless-steel grease filter
ECO motor
Energy-efficient and quiet
Integrated extractor fan
535m/h output
vented or recirculating

Extra

Unit includes standard ducting pipes
Add either a vented or recirculating part to the ducting supplied

 R32⁹⁹⁹

Please add one of the following:

1: DUU1000-2 - Recirculation box including regenerating longlife charcoal filter
11207310 | R6999.00

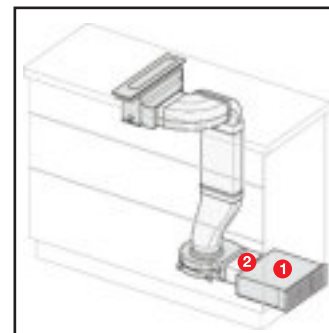
2: DKF-R1000 - Flat ducting 1000mm
10811340 | R769.00

A) DMK150 Wall vent kit
09162280 | R4999.00

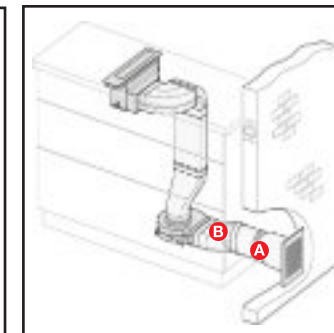
B) DKF-A - Adaptor from rectangular to round
10811430 | R1599.00

DFK-DB 10 meter - Sealing tape
10820390 | R219.00

Recirculation mode:



Vented mode:



Hob & Combi-sets accessories

10173130: Ceramic hob cleaner **R109**

10690630: CSZL7000 Connecting strip **R1099**

10790580: CSFG7000 Flame guard **R3299**

10009310: Gen7000 Griddle plate **R4899**

Hobs

Gas Hobs

KM2010G
7111080



Design

65cm wide
Stainless steel gas hob

Performance

Simple controls
Single-handed
operation via rotary dial control
Versatile
4 burners

Safety

GasStop function
& Automatic gas cut off
High Quality
Enamelled cast-iron pot rests

Please note

Manual ignition possible

KM2032G
7132760



Design

75cm wide
Stainless steel gas hob

Performance

Simple controls
Single-handed
operation via rotary dial control
Versatile
5 burners including
one mono wok
Safety
GasStop function
& Automatic gas cut off
High Quality
Enamelled cast-iron pot rests

Please note

Manual ignition possible

KM2052G
7132770



Design

90cm wide
Stainless steel gas hob

Performance

Simple controls
Single-handed
operation via rotary dial control
Versatile
5 burners including
one mono wok
Safety
GasStop function
& Automatic gas cut off
High Quality
Enamelled cast-iron pot rests

Please note

Manual ignition possible

KM3054-1G
10939040



Design

94.2cm wide
Gas on glass hob

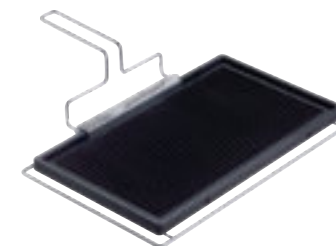
Performance

QuickStart
Single-handed
operation via rotary dial control
Versatile
5 burners including
one dual wok
Safety
GasStop function
& Restart function
ComfortClean
Easy cleaning pot rests

Please note

Manual ignition possible

CSGP1300 Griddle Plate
7094100



Design

- Cast iron griddle plate with S/Steel handles

Features

- 1 Flat side
- 1 Ribbed side

Suitable for gas hobs

R4⁹⁹⁹

e R12⁹⁹⁹

e R18⁹⁹⁹

e R22⁹⁹⁹

e R39⁹⁹⁹

Hobs

HiLight Ceramic Hobs

KM6520 FR
10889620



Design

57.5cm wide
Stainless steel framed Ceran glass electric hob

Performance

EasySelect
Touch controls via yellow display for user convenience
Versatile
4 Cooking zones including an extended cooking zone
Safety
With child lock, system lock & residual heat indicators
Convenient
Auto heat-up for each zone

 R11⁹⁹⁹

KM6522 FR
10889630



Design

76.4cm wide
Stainless steel framed Ceran glass electric hob

Performance

EasySelect
Touch controls via yellow display for user convenience
Versatile
4 Cooking zones including a dual and extended cooking zone
Safety
With child lock, system lock & residual heat indicators
Convenient
Auto heat-up for each zone & timer with minute minder

 R18⁹⁹⁹

KM6565 FR
10882070



Design

94.2cm wide
Stainless steel framed Ceran glass electric hob

Performance

SmartSelect
Touch controls via yellow display for user convenience
Versatile
5 Cooking zones including 2 dual cooking zones
Safety
With child lock, system lock & residual heat indicators
Convenient
Auto heat-up for each zone & timer with minute minder
Unsurpassed speed
1 ExtraSpeed cooking zone
Communication
Miele@home ,WiFiconn@ct & Con@ctivity 3.0

 R29⁹⁹⁹

KMETS704-1 | 4 piece pot & pan set
10454180



Design & Features

- 4 Piece pot and pan set manufactured by iittala especially for Miele
- New handle design
- Suitable for induction hobs

R6⁹⁹⁹

CSAG1400 Wok Rest
7217670



Design

- For supporting the induction Wok pan on counter tops

R1⁵⁹⁹

Hobs

Induction hobs

KM7464 FL
11144030



Design

62cm wide
Glass Induction hob
Surface or flush fit installation

Performance

ComfortSelect
Quick selection via yellow numerical keybank
Safety
With child lock & system lock
Convenient
Automatic pan recognition with minute minder
TwinBooster
Shortest heating-up times
Keeping warm /stop & go
Food cooked to perfection

Specification

x4 cooking zones incl x1 high power flex cooking area

KM7414 FX
11128640



Design

75.2cm wide
Glass Induction hob
Surface or flush fit installation

Performance

ComfortSelect
Quick selection via yellow numerical keybank
Safety
With child lock & system lock
Convenient
Automatic pan recognition with minute minder
TwinBooster
Shortest heating-up times
Keeping warm /stop & go
Food cooked to perfection
Con@ctivity 3.0
Communication with the hood

Specification

x4 cooking zones incl x1 high power flex cooking area

KM7697 FL
11144090



Design

93.6cm wide
Glass Induction hob
Surface or flush fit installation

Performance

SmartSelect controls
Quick selection via yellow number sequences
Safety
With child lock & system lock
Convenient
Automatic pan recognition with minute minder
TwinBooster
Shortest heating-up times
Keeping warm / stop & go
Food cooked to perfection
Con@ctivity 3.0
Communication with the hood

Specification

Full surface induction with intelligent pan recognition
6 pans

KM7684 FL
11144070



Design

91.6cm wide
Glass Induction panoramic hob
Surface or flush fit installation

Performance

SmartSelect controls
Quick selection via yellow number sequences
Safety
With child lock & system lock
Convenient
Automatic pan recognition with minute minder
TwinBooster
Shortest heating-up times
Keeping warm / stop & go
Food cooked to perfection
Con@ctivity 3.0
Communication with the hood

Specification

x4 cooking zones incl x2 high power flex cooking areas


*Combine with DA6890 extractor

€ R24⁹⁹⁹

€ R32⁹⁹⁹

€ R54⁹⁹⁹

€ R49⁹⁹⁹



KMDA
Two-In-One

Hobs

KMDA | Two-In-One

KMDA 7633 FL 80cm
11389260



Design

80cm wide
Induction hob with integrated extractor fan

Performance

Smart Select
Intuitive quick selection
via yellow number sequences
Elegant design
For flush or raised installation
Versatile and fast
4 cooking zones incl.
2 PowerFlex zones
Efficient filtration
10-ply
stainless-steel grease filter
ECO motor
Energy-efficient and quiet
Con@ctivity
Automatic fan power regulation
Integrated extractor fan
600m/h output
vented or recirculating

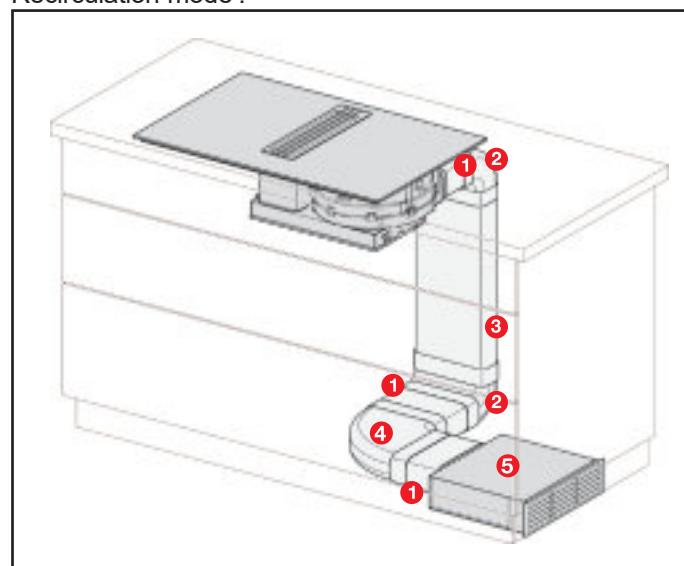
Please note

Unit excludes ducting pipes
Add either a vented or recirculating option

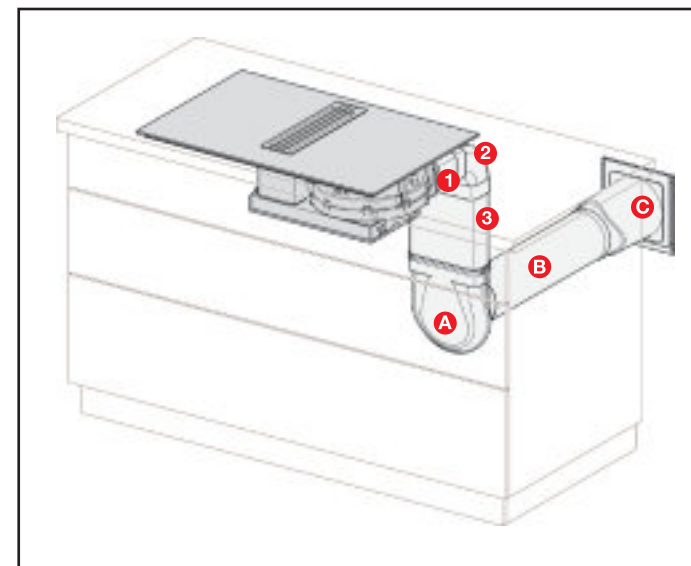
 R59⁹⁹⁹

Installation Examples & Accessories required

Recirculation mode :



Vented mode :



Accessories for versatile installations.

1: DFK-V - Connector, flat duct	10811360 R389.00
2: DKF BVK-90 - Vertical bend 150mm	10811470 R769.00
3: DKF-R1000 - Flat ducting 1000mm (222x89mm) for 10cm & above plinth heights	10811340 R769.00
4: DFK-BH90 - 90 degree horizontal bend	10811390 R769.00
5: DUU1000-2 - Recirculation box including regenerating longlife charcoal filter	11207310 R6999.00
A) DKF A-90 adaptor rectangular	10811440 R769.00
B) Flexi hosing 150mm (5m length)	04623230 R2699.00
C) DMK150 Wall vent kit	09162280 R4999.00

DFK-DB 10 meter - Sealing tape

10820390 | R219.00